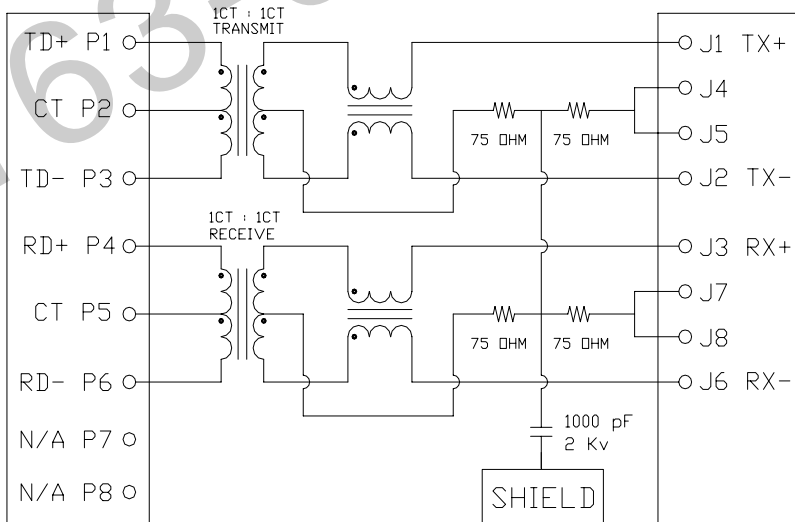


ELECTRICAL SPECIFICATIONS @ 25°C+/-5°C unless otherwise noted:

- Insertion Loss:** 1-100MHZ -1.0dB MAX
- Return Loss:**
 - 1-30MHZ -16.0dB MIN
 - 30-60MHZ -14.0dB MIN
 - 60-80MHZ -10.0dB MIN
- Cross Talk:**
 - 1-30MHZ -40.0dB MIN
 - 30-60MHZ -35.0dB MIN
 - 60-80MHZ -30.0dB MIN
- CMR:** 1-100MHZ -35.0dB MIN
- Hi-Pot:** 1500v AC 6S 1mA
- OCL:** 350uH MIN @ 100KHZ 100mV 8mA DC



Contacts: 0.35mm thick phos bronze plated with 6u' gold in contact area
 Operating temperature range: 0°C to +70°C

Turn Ratio: 1CT:1CT+/-3%
 Housing Material: PBT Black

HDC 有限公司	UNIT: mm .xx +/-0.25 .xxx +/-0.13	Approved By : Joan Pan	
	10/100BASE 1X1Tab-Down RJ45	P/N:GRJJ-H7254	REV. A
Drafted by Lin Ye	Sheet 1 of 1		